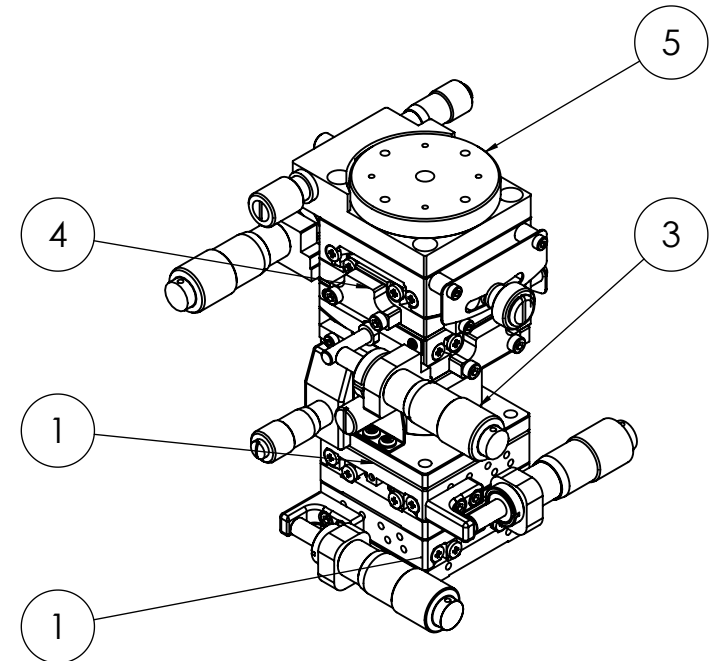
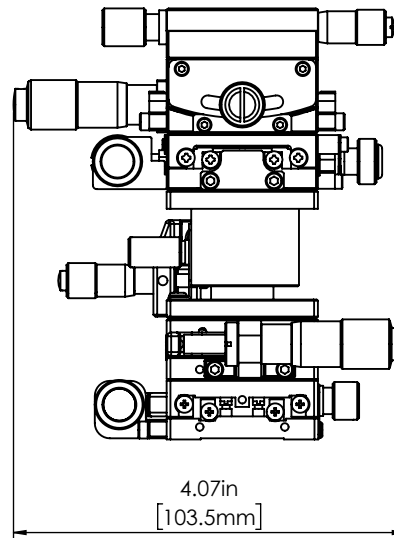
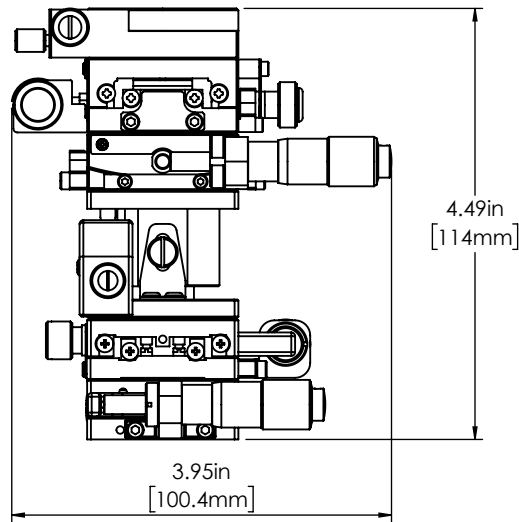


PART LIST			
ITEM	QTY.	PART NUMBER	DESCRIPTION
1	1	TADC-402WS	40X40mm Ball Bearing, Aluminum, XY-Axis Stage, Side Micrometer, +/-6.5mm, M3 Threads
2	1	TSD-403	40X40mm EXC Bearing, Steel, Z-Axis Stage, (Horizontal Platform/Base) Center Micrometer, +/-3mm, M3 Threads
3	1	GOHT-40A60BMS	40X40mm Goniometer, EXC Bearings, 1-Axis, +/-5.5, 60mm Axis Ht, Micrometer, M3 Thd
4	1	GOHT-40A40BMS	40X40mm Goniometer, EXC Bearings, 1-Axis, +/-7 deg, 40mm Axis Ht, Micrometer, M3 Thd
5	1	KSP-406M	40mm Diameter, Brass, Lapped-Surface Bearing Rotation Stage, 360 Deg Manual Rotation, +/-5 Deg Fine Adjustment, Micrometer Drive, M3 Threads



THIS DOCUMENT CONTAINS PROPRIETARY INFORMATION OWNED BY OPTOSIGMA CORP. AND MAY NOT BE USED, DUPLICATED OR DISCLOSED IN WHOLE OR IN PART FROM ANY PURPOSE INCLUDING DESIGN, MANUFACTURE OR PROCUREMENT WITHOUT THE WRITTEN PERMISSION OF OPTOSIGMA CORP.

 www.optosigma.com	TOLERANCES FRACTION 210" ANGULAR ±0.5° 0.X ±.03 0.XX ±.01 0.XXX ±.005 0.XXXX ±.0005	DRAWN BY CHECKED BY APPROVED BY	DATE 5/5/2023 DATE DATE	MATERIAL FINISH SCALE	FILE NAME Manual 6 axis stage XYZ TipTilt Rotary	Assembly: Manual 6 axis stage XYZ TipTilt Rotary	CONTACTS: USA: sales@optosigma.com Europe: sales@optosigma-europe.com	REV. 1 of 1
-----------------------	--	---------------------------------------	----------------------------------	-----------------------------	---	---	---	----------------