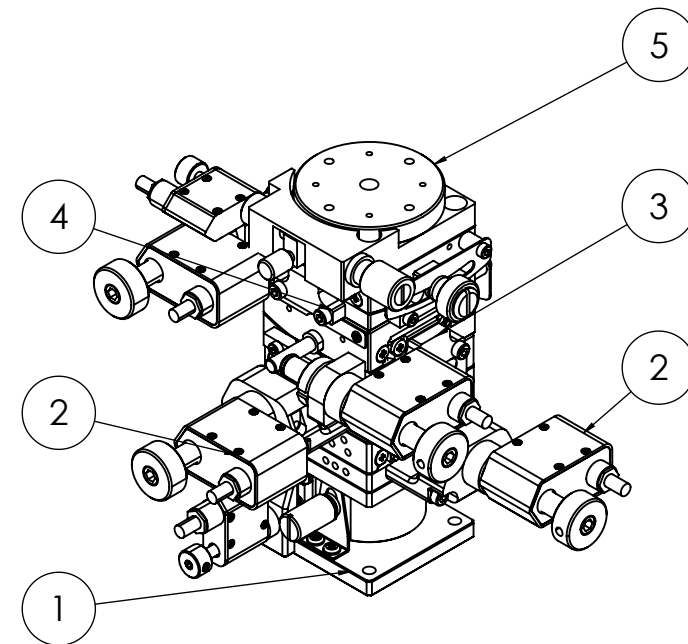
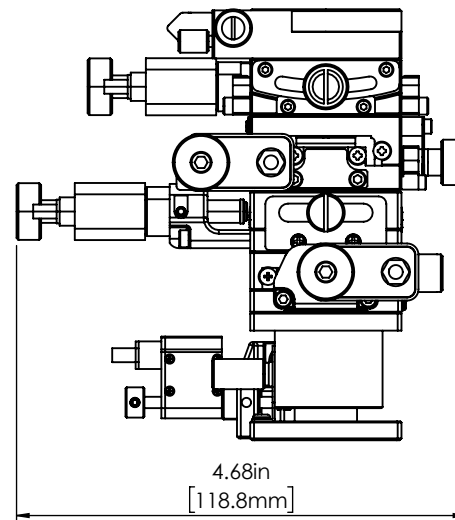
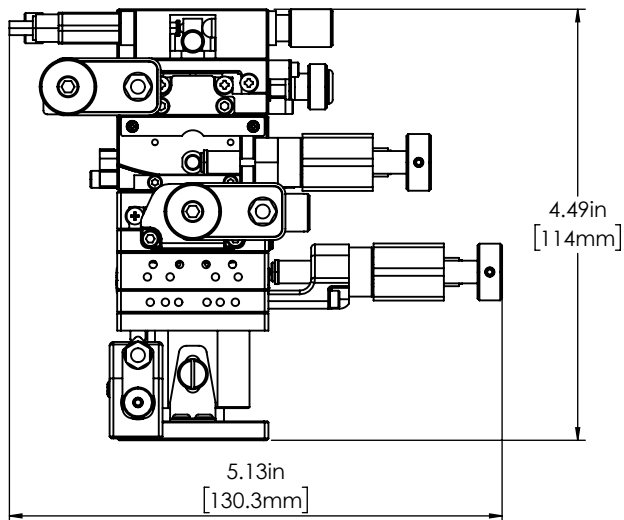



PART LIST			
ITEM	QTY.	PART NUMBER	DESCRIPTION
1	1	TSD-403-PDM	Motorized 40X40mm EXC Bearing, Steel, Z-Axis Stage, (Horizontal Platform/Base) Center Piezomotor, +/-2.5mm, M3 Threads
2	2	TADC-401C-PDM	Motorized 40X40mm Ball Bearing, Aluminum, X-Axis Stage, Center Piezomotor, +/-6.5mm, M3 Threads
3	1	GOHT-40A40BMS-PDM	Motorized 40X40mm Goniometer, EXC Bearings, 1-Axis, 12 deg, 40mm Axis Ht, Piezomotor, M3 Thd
4	1	GOHT-40A60BMS-PDM	Motorized 40X40mm Goniometer, EXC Bearings, 1-Axis, 10 deg, 60mm Axis Ht, Piezomotor, M3 Thd
5	1	KSP-406M-PDM	Motorized 40mm Diameter, Brass, Lapped-Surface Bearing Rotation Stage, 360 Deg Manual Rotation, 8 Deg Fine Adjustment, Piezomotor Drive, M3 Threads



THIS DOCUMENT CONTAINS PROPRIETARY INFORMATION OWNED BY OPTOSIGMA CORP. AND MAY NOT BE USED, DUPLICATED OR DISCLOSED IN WHOLE OR IN PART FROM ANY PURPOSE INCLUDING DESIGN, MANUFACTURE OR PROCUREMENT WITHOUT THE WRITTEN PERMISSION OF OPTOSIGMA CORP.

 www.optosigma.com	TOLERANCES FRACTION 210" ANGULAR ±0.5°	DRAWN BY CHECKED BY APPROVED BY	DATE 5/5/2023	MATERIAL FINISH	Contacts: USA: sales@optosigma.com Europe: sales@optosigma-europe.com	REV.
	0.X ±.03 0.XX ±.01 0.XXX ±.005 0.XXXX ±.0005	DATE SCALE FILE NAME Piezo 6 axis stage XYZ TipTilt Rotary	DATE SCALE FILE NAME Piezo 6 axis stage XYZ TipTilt Rotary	Assembly: Piezo 6 axis stage XYZ TipTilt Rotary	PAGE 1 of 1	